

Manrug technical discussion



Greasing System
Drive faults

August 13th 2015

Manrug technical discussion

Agenda:

- | | |
|-----------------------------------|-------------------------|
| 1. Introduction – 5 min | Luc and Andreas |
| 2. Drive faults - 10 min | Matthias |
| ▪ Q&A – 15 min | Manrug members and mrws |
| 3. Greasing systems – 10 min | Thomas |
| ▪ Q&A – 15 min | Manrug members and mrws |
| 4. Feedback for next call – 5 min | Manrug members |

Greasing System



Lubricate all bearings within a system



Automated

- Triggerd by time and/or revolutions
- Centralised grease station



Manuel

- Decentralised

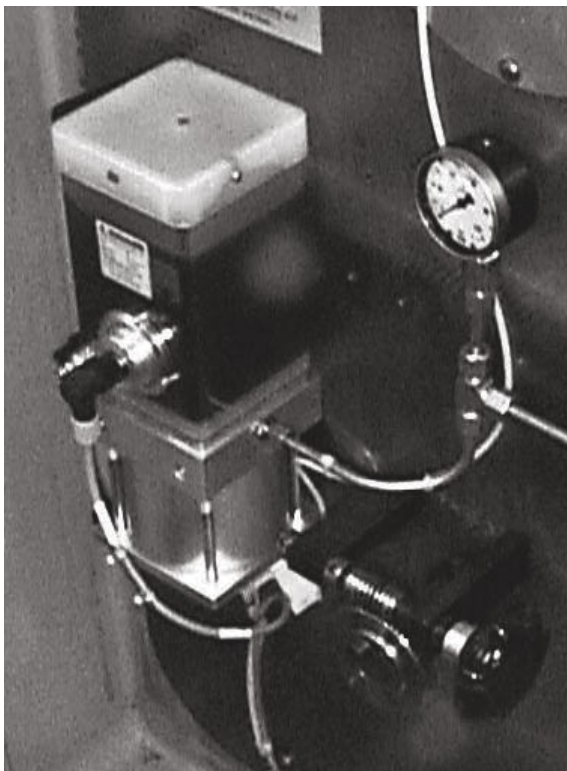
Within manroland equipment ?

Hybrid !

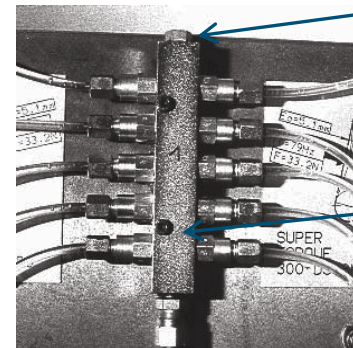
Manrug technical discussion

Low-viscosity grease lubrication – by Bielomatik

Grease pump

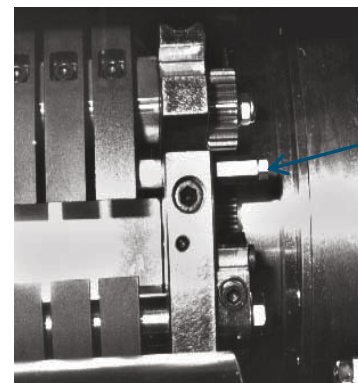


Vent screw



Distributor

Central vent screw



Progressive central lubrication system – by Lincoln

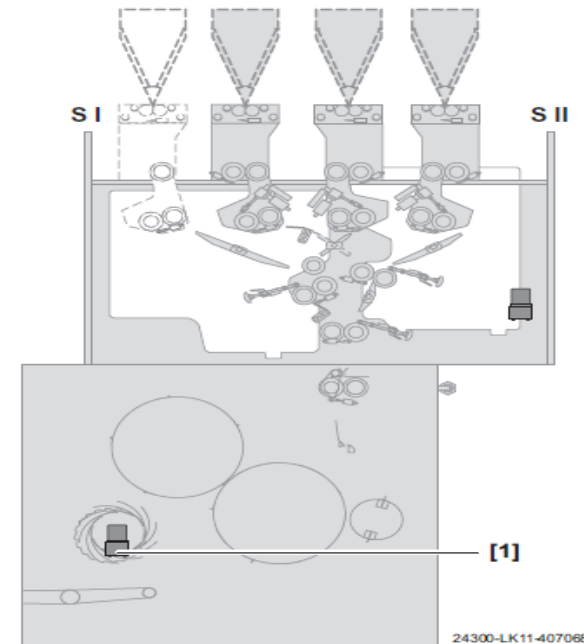


fig. 45 Automatic grease lubrication system in the folder and folder upper section

[1] Grease pump, S IIa

Manrug technical discussion

Manual Lubrication - Grease gun from the tool cabinet

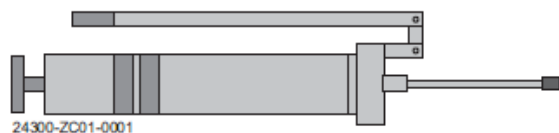


fig. 44 Grease gun from the tool cabinet

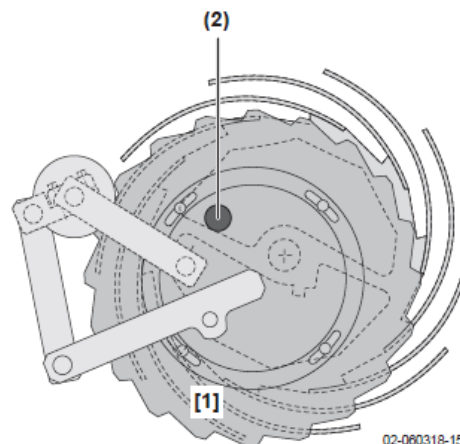


fig. 48 Stepping wheel lubricating nipple

- [1] Paddlewheel
- (2) Stepping wheel lubricat

1070681_fw255_wb_en 1.0

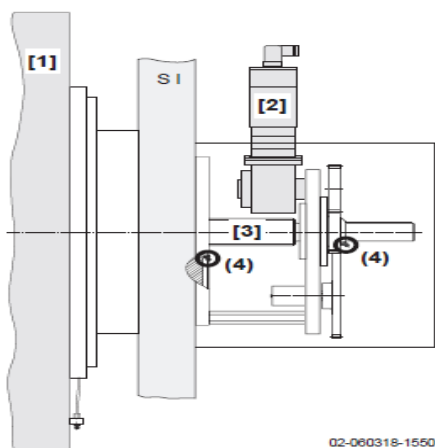


fig. 53 Jaw cylinder lubricating nipples

- [1] Jaw cylinder
- [2] Gear motor
- [3] Adjusting spindle
- (4) Lubricating nipples

MANROLAND LUBRICATION FW10001_FW255_WB_EN 1.0

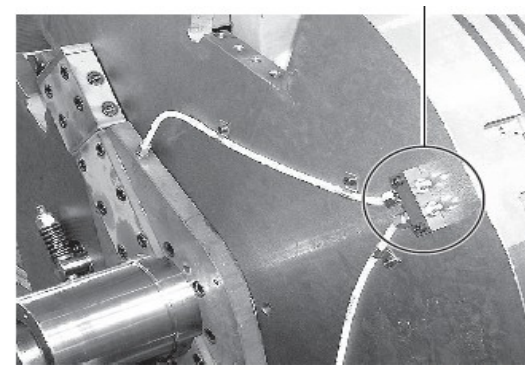


fig. 51 Jaw cylinder lubricating nipples

- (3) 2 lubricating nipples, S I